



- Available in 6'8" and 8'0" passage sizes.
- Most sizes can be specified for either hollow or solid core construction and with either finger joint or MDF stiles and rails.
- Elegant smooth finish.
- Available in 20, 45 and 60-minute fire ratings.
- All doors are available primed with a low VOC primer; ready to paint.
- Covered by a 1-year limited warranty for interior use.

ROCKPORT

Smooth surface and Modified Cove and Bead sticking profile add traditional warmth to any room.

6'8" and 8'0" Sizes Available

1'0"	1'2"	1'3"	1'4"	1'6"	1'8"	1'10"	2'0"	2'2"	2'4"	2'6"	2'8"	2'10"	3'0"
							■		■	■	■		■

Durable, Long Lasting Performance

Made from molded high-density fiberboard, Rockport resists shrinking, swelling cracking and joint separation. Engineered wood designs out performs wood doors while offering *superior value*. Available in standard 6'8" and 8'0" passage sizes with elegant smooth finish.

Haley offers a limited 1-year warranty for quality and craftsmanship on all residential molded panel doors.

GREEN BENEFITS

Haley molded door designs (facings) meet Phase 2 of the California Air Resources Board (CARB) Airborne Toxic Control Measure (ATCM) 93120.

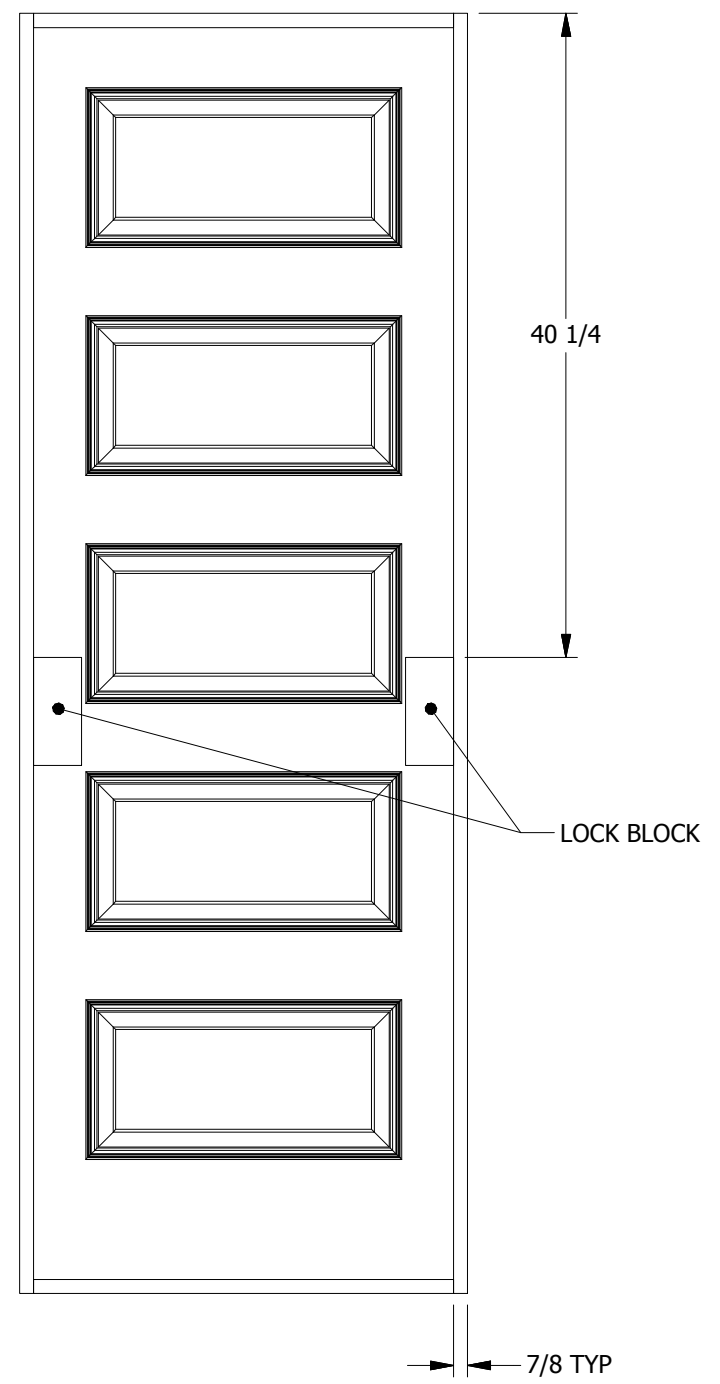
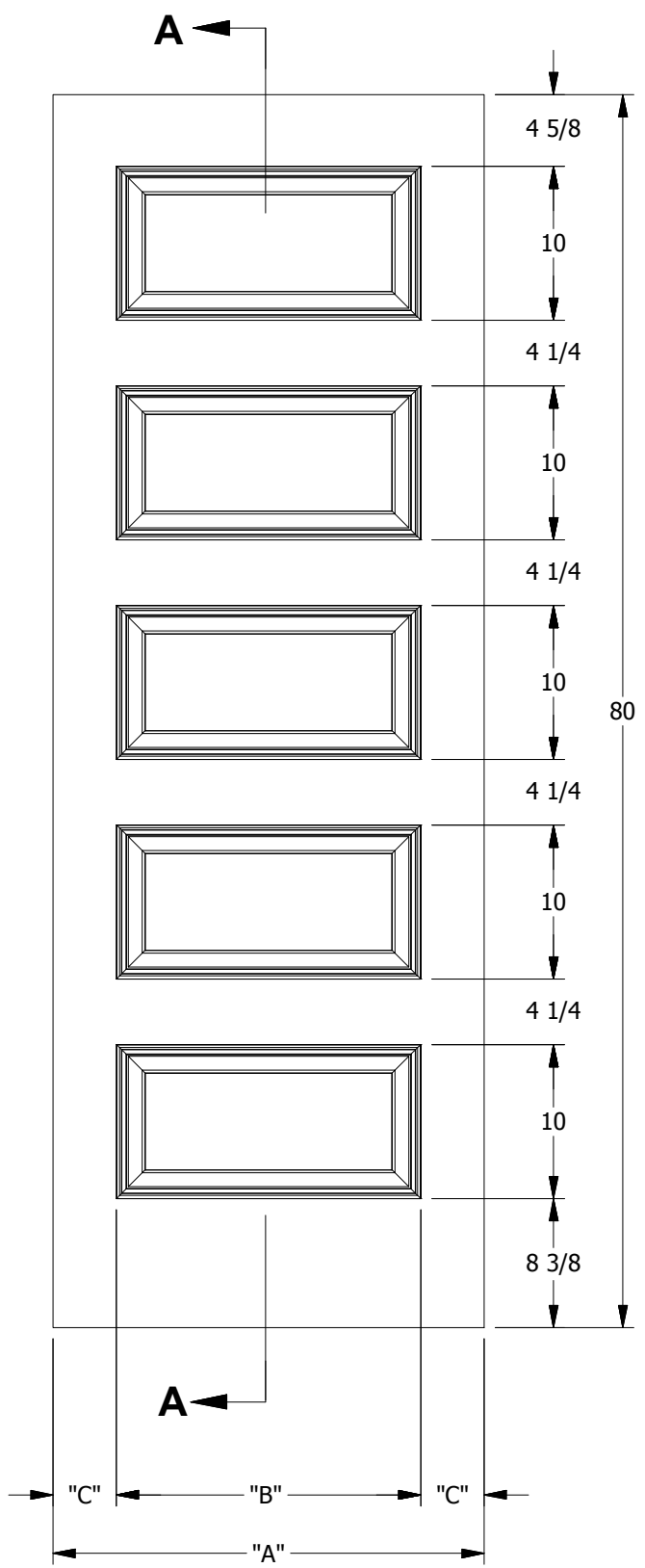
Haley molded door designs contain **No Added Urea Formaldehyde (NAUF.)**

All hollow core Haley interior passage content doors contain a minimum of 25% pre-consumer recycled wood fiber content.

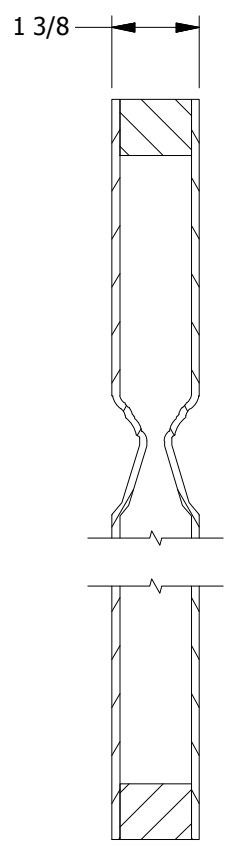


HALEY BROS., INC.
6291 Orangethorpe Ave
Buena Park, CA 90620

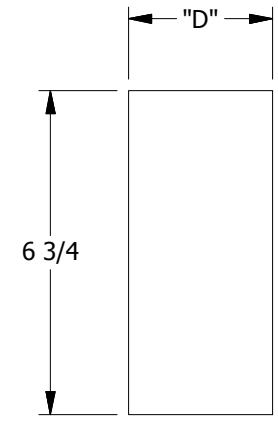
Ph: 800-854-5951
info@haleybros.com
www.haleybros.com



LOCK BLOCK LOCATION
DOOR SKIN REMOVED



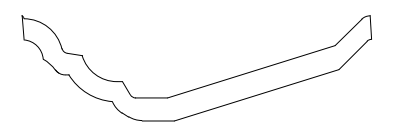
SECTION A-A



LOCK BLOCK
DETAIL

ROCKPORT INTERIOR DOOR 6'8"

DIMENSION TABLE				
DOOR SIZE	"A"	"B"	"C"	"D"
2'-0" x 6'-8"	24"	15 3/4"	4 1/8"	3"
2'-2" x 6'-8"	26"	19 3/4"	3 1/8"	2 1/4"
2'-4" x 6'-8"	28"	19 3/4"	4 1/8"	3"
2'-6" x 6'-8"	30"	21 3/4"	4 1/8"	3"
2'-8" x 6'-8"	32"	23 3/4"	4 1/8"	3"
2'-10" x 6'-8"	34"	25 3/4"	4 1/8"	3"
3'-0" x 6'-8"	36"	25 3/4"	5 1/8"	3"

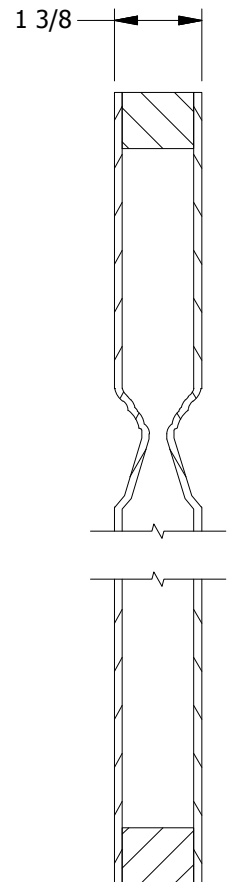
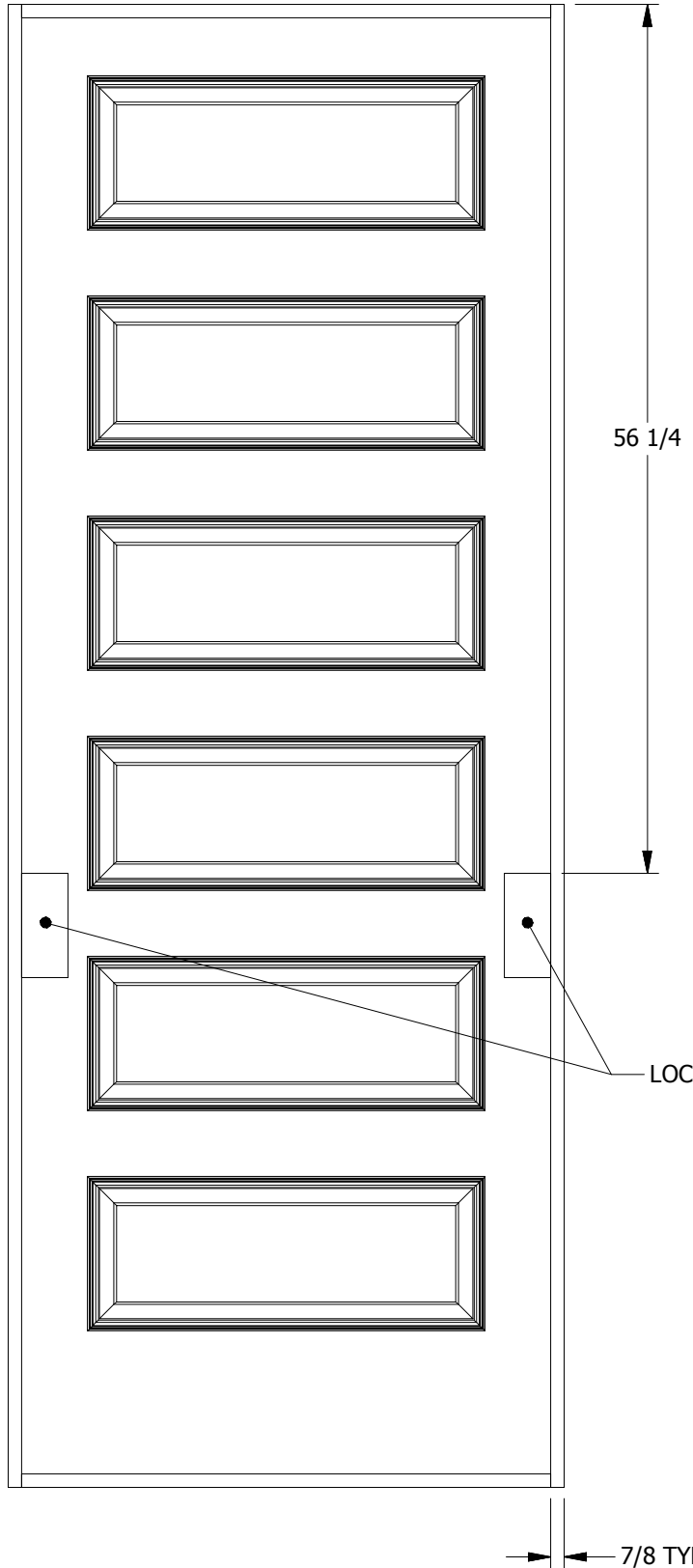
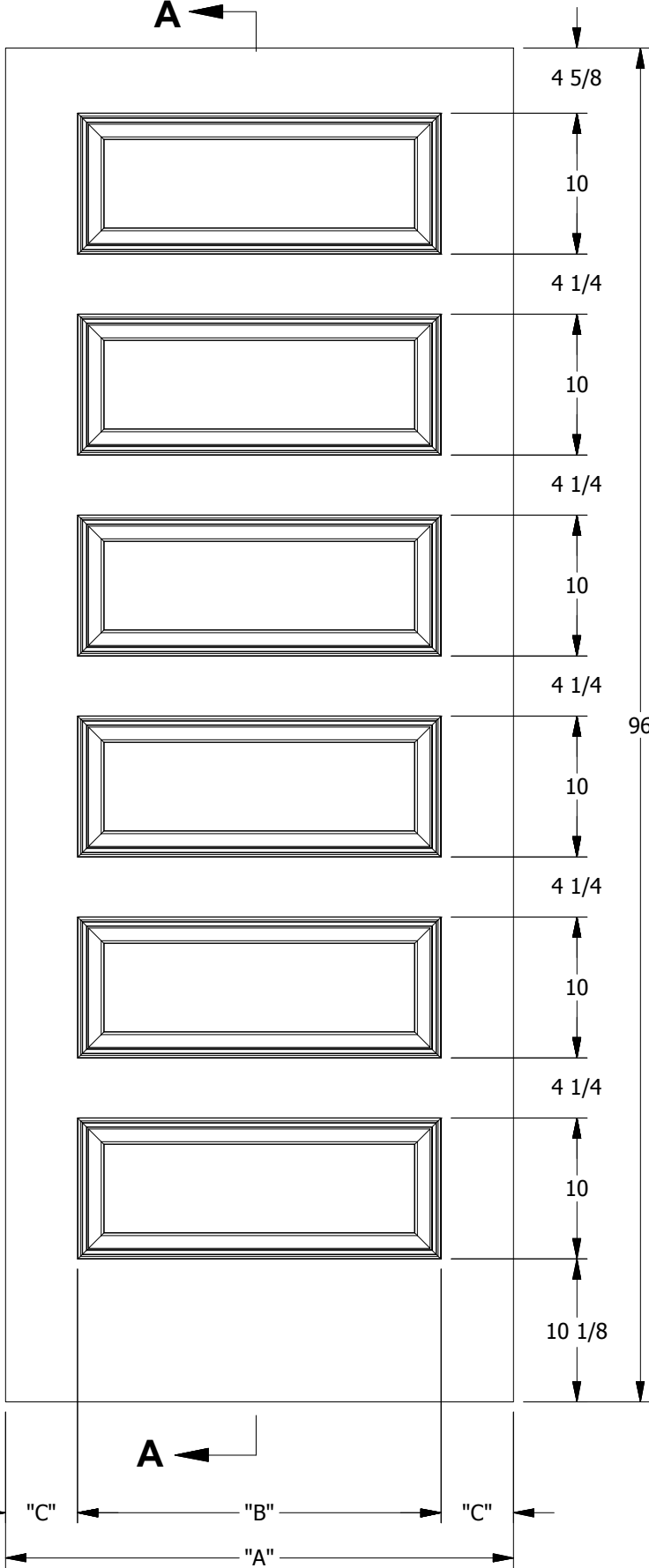


PANEL PROFILE :
MODIFIED COVE & BEAD STICKING



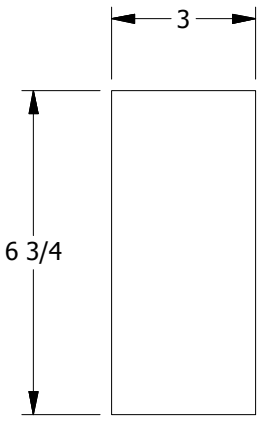
ROCKPORT INTERIOR DOOR 8'0"

DIMENSION TABLE			
DOOR SIZE	"A"	"B"	"C"
2'-0" x 8'-0"	24"	14 1/2"	4 3/4"
2'-2" x 8'-0"	26"	14 1/2"	5 3/4"
2'-4" x 8'-0"	28"	18 1/2"	4 3/4"
2'-6" x 8'-0"	30"	20 1/2"	4 3/4"
2'-8" x 8'-0"	32"	22 1/2"	4 3/4"
2'-10" x 8'-0"	34"	22 1/2"	5 3/4"
3'-0" x 8'-0"	36"	25 3/4"	5 1/8"



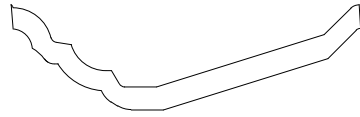
SECTION A-A

LOCK BLOCK



LOCK BLOCK DETAIL

LOCK BLOCK LOCATION
DOOR SKIN REMOVED



PANEL PROFILE :
MODIFIED COVE & BEAD STICKING

