



# CREMONA

The contemporary Cremona, with its smooth finish, is one of the most popular designs. The bold arches and curves of this interior door design adds style to any room in the house.

6'8" and 8'0" Sizes Available (7'0" height available with extended lead time.)  
 1'4", 1'6", 1'8" 2'2" and 2'10" not available in 8'0".

1'0"	1'2"	1'3"	1'4"	1'6"	1'8"	1'10"	2'0"	2'2"	2'4"	2'6"	2'8"	2'10"	3'0"
				■	■		■	■	■	■	■	■	■

## Durable, Long Lasting Performance

Made from molded high-density fiberboard, Cremona resists shrinking, swelling cracking and joint separation. Engineered wood designs out performs wood doors while offering superior value. Available in standard 6'8' and 8'0" passage and bifold sizes with elegant smooth finish.

Haley offers a limited 1-year warranty for quality and craftsmanship on all residential molded panel doors.



\* Available in 6'8" and 8'0" passage and bifold sizes.

\* Most sizes can specified for either hollow or solid core construction and with either fingerjoint or MDF stiles and rails.

\* Elegant smooth finish.

\* Available in 20, 45, and 60 minute fire ratings.

\* All doors are availbale primed with a new VOC primer; ready to paint.

\* Covered by a 1-year limited warranty for interior use.

## GREEN BENEFITS

Haley molded door designs (facings) meet Phase 2 of the California Air Resources Board (CARB) Airborne Toxic Control Measure (ATCM) 93120.

Haley molded door designs contain **No Added Urea Formaldehyde (NAUF.)**

All hollow core Haley interior passage content doors contain a minimum of 25% pre-consumer recycled wood fiber content.

**HALEY BROS., INC.**

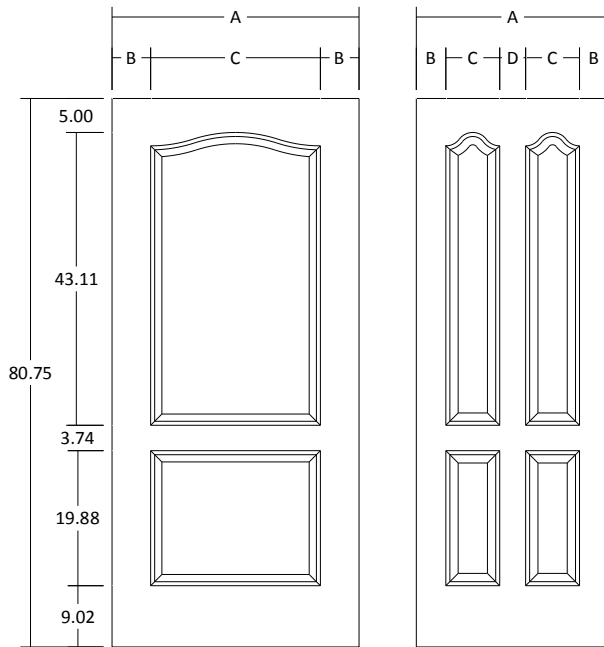
6290 Orangethorpe Ave  
 Buena Park, CA 90620

800-854-5951

www.haleybros.com  
 info@haleybros.com

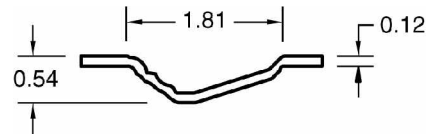


## MOLDED DOOR DESIGNS- DIMENSIONAL SPECIFICATIONS



5dW a` SE\_ aafZ (y`

Bead and Cove Profile



5dW a` SE\_ aafZ (y`

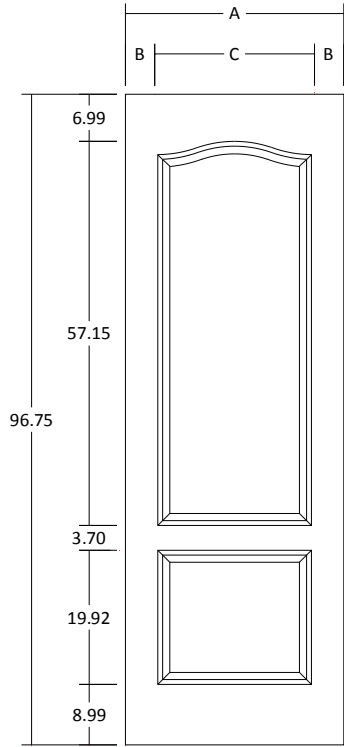
MOLDED DOOR DESIGN (DOOR FACING) SIZE

Overall length and width dimensions +/- 1/16"

Nominal	A	B	C	D
36	36.375	5.69	25.00	--
34	34.375	5.77	22.84	--
32	32.375	4.77	22.84	--
30	30.375	5.35	19.69	--
28	28.375	5.13	18.11	--
26	26.375	5.71	14.96	--
24	24.375	4.71	14.96	--
20	20.375	5.44	9.50	--
18	18.375	4.44	9.50	--
16 U	--	--	--	--
15/18 U	36.375	6.60	9.09	5.00
16/16 B	--	--	--	--
15/15 B	--	--	--	--
14/14 B	--	--	--	--
12/12 B	24.375	3.49	6.79	3.81

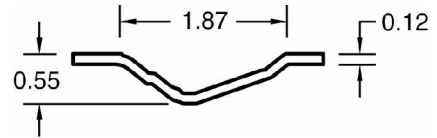


**MOLDED DOOR DESIGNS-  
DIMENSIONAL SPECIFICATIONS**



**Cremona Smooth 8'0"**

Patented INP Profile



**Cremona Smooth 8'0"**

MOLDED DOOR DESIGN (DOOR FACING) SIZE

Overall length and width dimensions +/- 1/16"

Nominal	A	B	C	D
36	36.375	5.69	25.00	--
34	34.375	5.77	22.84	--
32	32.375	4.77	22.84	--
30	30.375	5.35	19.69	--
28	28.375	5.13	18.11	--
26	26.375	5.71	14.96	--
24	24.375	4.71	14.96	--
20	20.375	5.44	9.50	--
18	18.375	4.44	9.50	--
16 U	16.375	4.65	7.08	--
18/18 B	--	--	--	--
16/16 B	--	--	--	--
15/15 B	--	--	--	--
14/14 B	--	--	--	--
12/12 B	--	--	--	--