



# CORVADO

Offers the warmth and richness of a traditional plank door with a distinctive groove and modified sticking pattern for added detail.

6'8" and 8'0" Sizes Available (7'0" height available with extended lead time.)  
 1'4" not available in 8'0".

1'0"	1'2"	1'3"	1'4"	1'6"	1'8"	1'10"	2'0"	2'2"	2'4"	2'6"	2'8"	2'10"	3'0"
				■	■		■	■	■	■	■	■	■

## Durable, Long Lasting Performance

Made from molded high-density fiberboard, Corvado resists shrinking, swelling cracking and joint separation. Engineered wood designs out performs wood doors while offering *superior value*. Available in standard 6'8' passage sizes with elegant smooth finish.

Haley offers a limited 1-year warranty for quality and craftsmanship on all residential molded panel doors.

Available in 6'8" and 8'0" passage sizes.

Most sizes can be specified for either hollow or solid core construction with either fingerjoint or MDF stiles and rails.

Elegant smooth finish.

Available in 20, 45 and 60-minute fire ratings.

All doors are available primed with a low VOC primer; ready to paint.

## GREEN BENEFITS

Haley molded door designs (facings) meet Phase 2 of the California Air Resources Board (CARB) Airborne Toxic Control Measure (ATCM) 93120.

Haley molded door designs contain **No Added Urea Formaldehyde (NAUF.)**

All hollow core Haley interior passage content doors contain a minimum of 25% pre-consumer recycled wood fiber content.



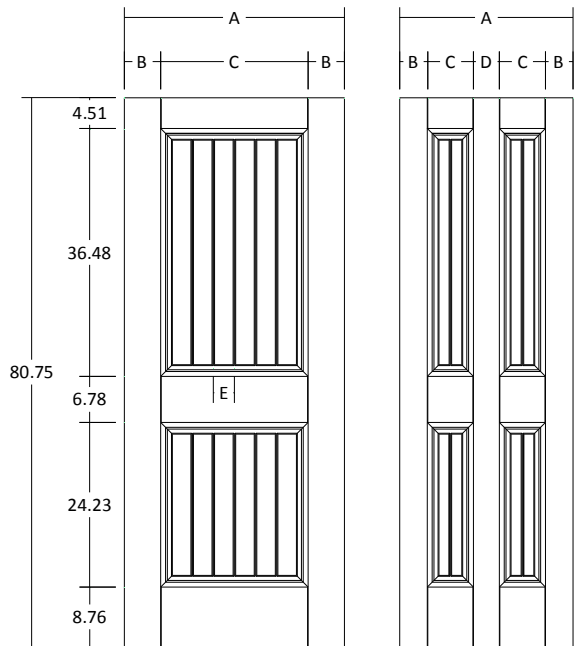
## HALEY BROS., INC.

6291 Orangethorpe Ave  
 Buena Park, CA 90620

Ph: 800-854-5951  
[www.haleybros.com](http://www.haleybros.com)  
[info@haleybros.com](mailto:info@haleybros.com)

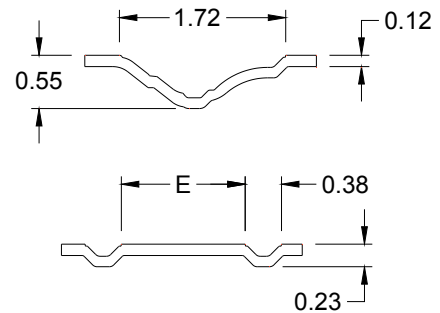


## MOLDED DOOR- DIMENSIONAL SPECIFICATIONS



### Corvado Smooth 6'8"

Modified INP Profile



Plank and Groove Detail

### Corvado Smooth 6'8"

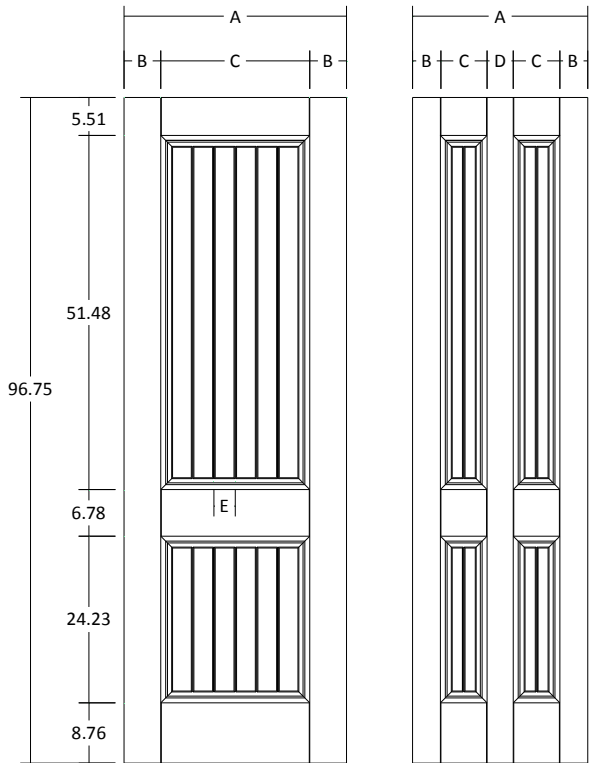
MOLDED DOOR DESIGN (DOOR FACING) SIZE

Overall length and width dimensions +/- 1/16"

Nominal	A	B	C	D	E	Number of Planks
36	36.375	6.34	23.69	--	3.06	6
34	34.375	6.34	21.69	--	2.73	6
32	32.375	5.34	21.69	--	2.73	6
30	30.375	5.34	19.69	--	2.95	5
28	28.375	5.34	17.69	--	2.55	5
26	26.375	5.34	15.69	--	2.78	4
24	24.375	4.34	15.69	--	2.78	4
20	20.375	4.21	11.96	--	2.59	3
18	18.375	3.21	11.96	--	2.59	3
16 U	--	--	--	--	--	--
15/18 U	36.375	6.60	9.09	5.00	1.63	3
16/16 B	--	--	--	--	--	--
15/15 B	--	--	--	--	--	--
14/14 B	--	--	--	--	--	--
12/12 B	24.375	3.49	6.79	3.81	1.49	2

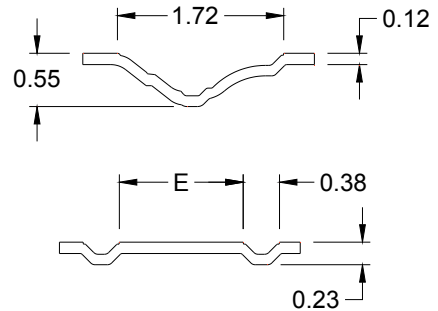


## MOLDED DOOR- DIMENSIONAL SPECIFICATIONS



### Corvado Smooth 8'0"

Modified INP Profile



Plank and Groove Detail

### Corvado Smooth 8'0"

MOLDED DOOR DESIGN (DOOR FACING) SIZE

Overall length and width dimensions +/- 1/16"

Nominal	A	B	C	D	E	Number of Planks
36	36.375	6.34	23.69	--	3.06	6
34	34.375	6.34	21.69	--	2.73	6
32	32.375	5.34	21.69	--	2.73	6
30	30.375	5.34	19.69	--	2.95	5
28	28.375	5.34	17.69	--	2.55	5
26	26.375	5.34	15.69	--	2.78	4
24	24.375	4.34	15.69	--	2.78	4
20	20.375	4.21	11.96	--	2.59	3
18	18.375	3.21	11.96	--	2.59	3
16 U	--	--	--	--	--	--
15/18 U	36.375	6.60	9.09	5.00	1.63	3
16/16 B	--	--	--	--	--	--
15/15 B	--	--	--	--	--	--
14/14 B	--	--	--	--	--	--
12/12 B	24.375	3.49	6.79	3.81	1.49	2